

SUB BOX

energy

EBX 200 500 Watt

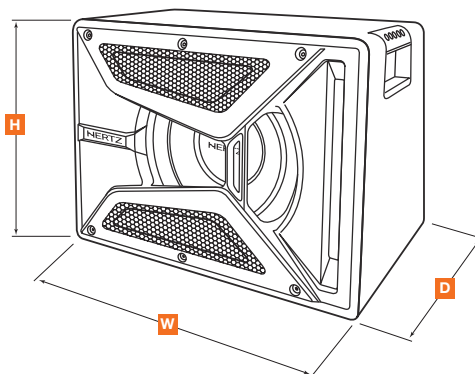
Technical Specifications

Component	Bass Reflex Sub Box	
Speaker Size	mm	200 (8")
Power Handling	W peak	500
	W continuous	250
Impedance	Ω	4
Frequency response	Hz	30 ÷ 400
Sensitivity	dB/SPL	91
Box Size mm (inch)	W	390 (15 ^{3/8})
	D	297 (11 ^{11/16})
	H	288 (11 ^{5/16})
Weight of one component	Kg	11,1
	(lb)	(24,5)
Magnet	Single magnet, High density flux ferrite	
Cone	Water-repellent pressed paper	



Xponential-Flanged-Duct®

1. 20 mm MDF employed to minimize enclosure losses.
2. Slanted rear panel helps reduce back wave reflections and eases installation.
3. Xponential Flanged Duct® for powerful, undistorted output; perfect for the long excursion subwoofer used.
4. Molded composite grille offers total speaker protection and great cosmetic appeal.
5. Proprietary connection terminals provide the outmost in functionality and safety.
6. Ergonomic anti-slip rubber handles aid in the removal of the enclosure.
7. Enclosure and speakers redesigned and optimized in terms of performance, providing higher dynamics within the low frequency range and minimising size requirements.



W	390 mm (15 ^{3/8})
D	297 mm (11 ^{11/16})
H	288 mm (11 ^{5/16})